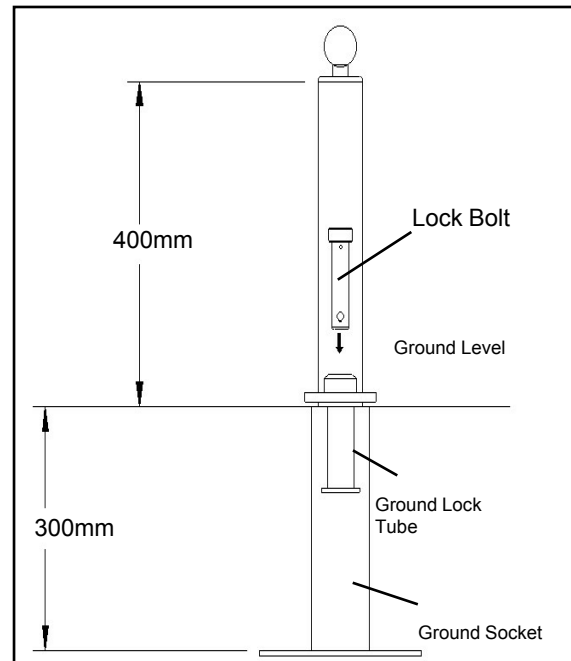


## SA7L Hitch Post Data Sheet



### Features:

- Constructed from 70 x 70mm hollow section steel, 5mm thick.
- 300mm engagement into the ground.
- Locked in place with Bulldog Super Lock Bolt. Case hardened 1" (25.4mm) diameter body. Drill and pick resistant lock with over one million possible key combinations.
- Flush fitting ground lock tube to receive Super Lock Bolt.
- 12mm thick retaining eye welded to post leg.
- Bright yellow, highly visible powder coated finish.
- Protection plate supplied to cover ground socket opening when hitch post is removed for access.
- Dust cover to protect lock.
- No protrusions when post is removed.
- Can be used in conjunction with Bulldog Mini Lock to lock trailer/caravan to post.

**Note:** Special bottom channels are required for Bradley and Rice Mini Locks to allow for fixing to post.

- Weight = 14.3kg

### **Bulldog Security Products Ltd**

Units 1 - 4 Stretton Road, Much Wenlock, Shropshire, TF13 6DH.

Tel: 01952 728171 Fax: 01952 728117

email: [sales@bulldogsecure.com](mailto:sales@bulldogsecure.com) [www.bulldogsecure.com](http://www.bulldogsecure.com)